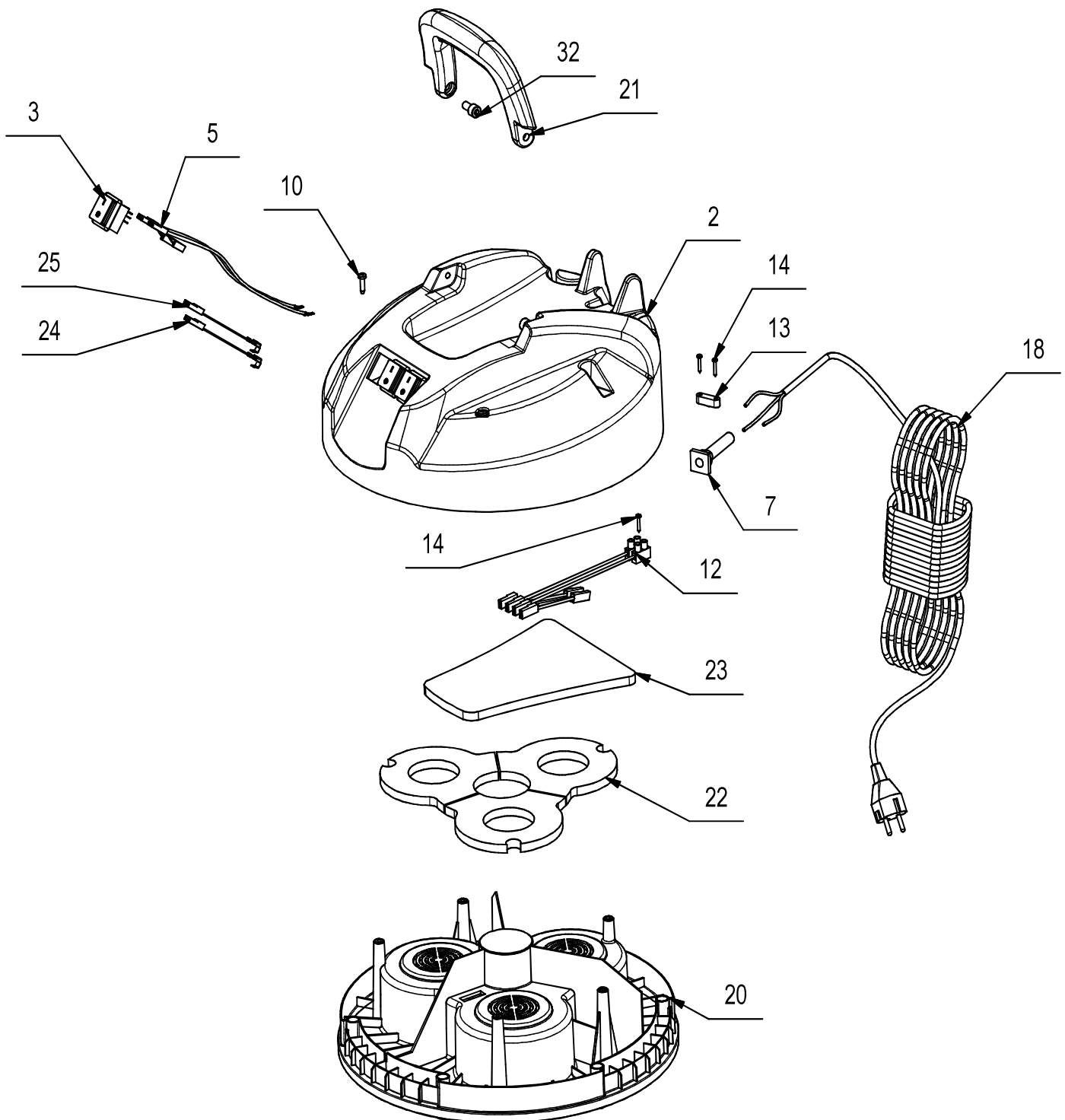
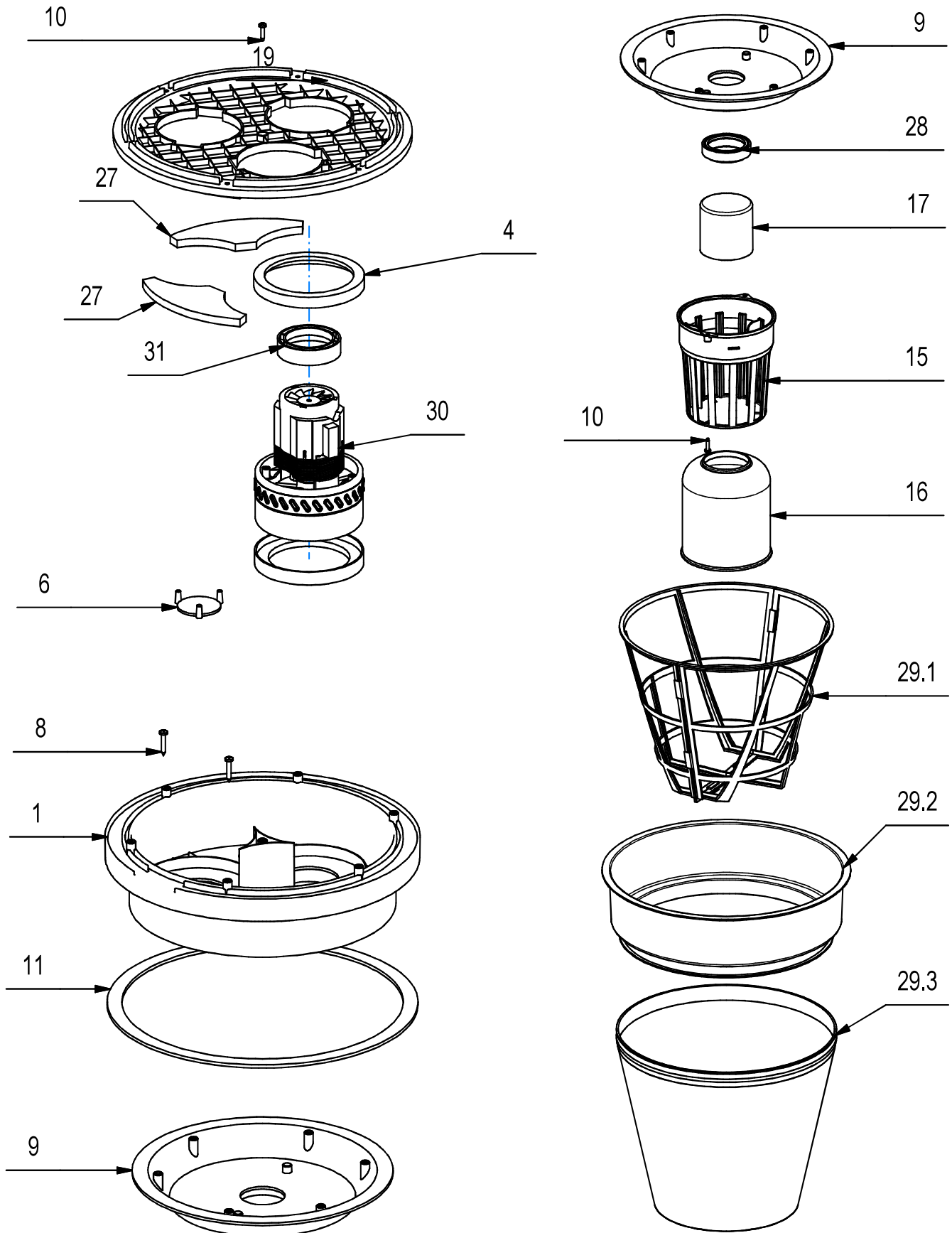


MAMMOTH XR11000

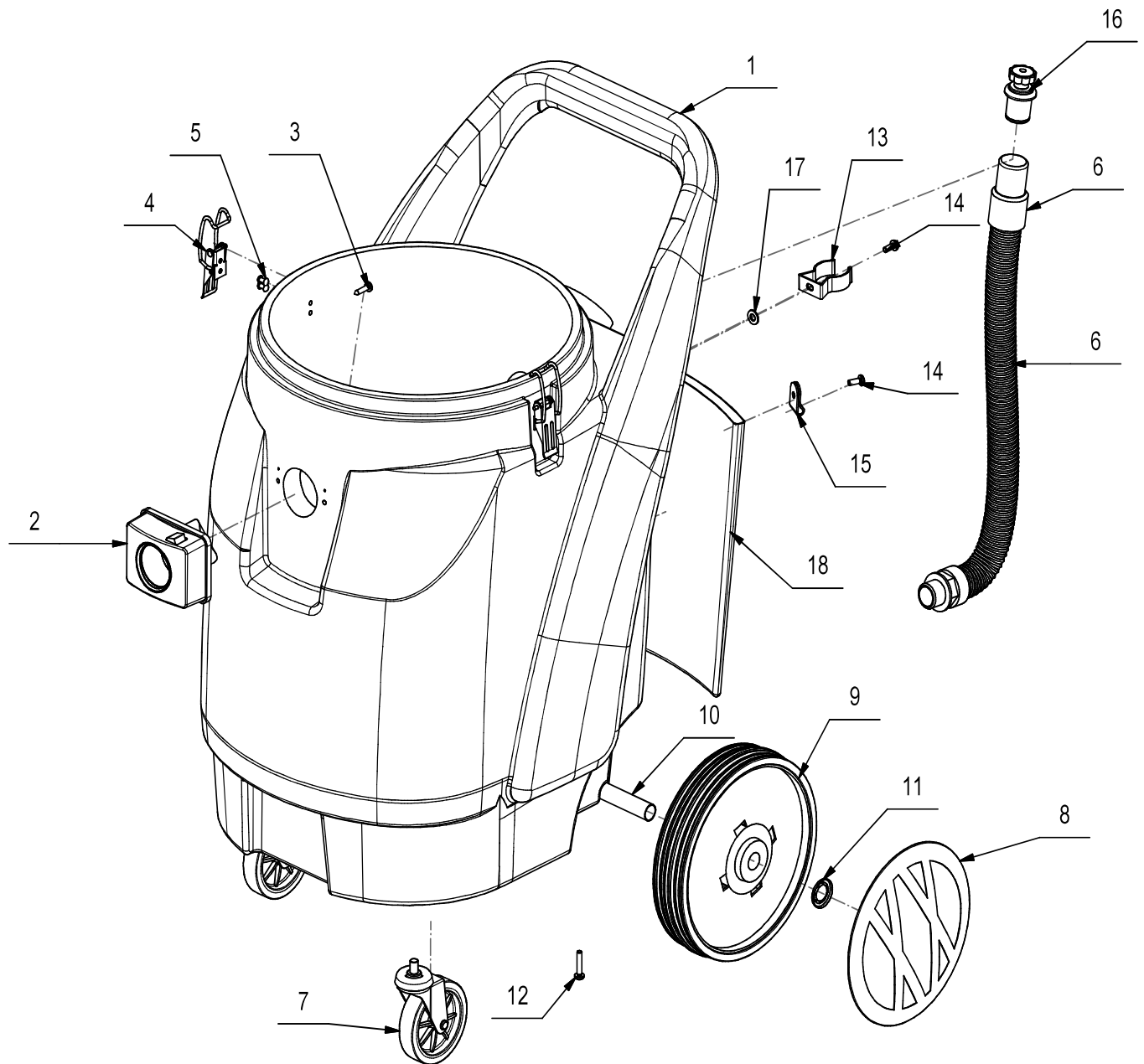


MAMMOTH XR11000



Pos.	Cod.	Q.ty	Description
1	VTVS1001	1	MOTOR BASE
2	VTVS1002	1	SHOCK COVER
3	VTVS7422Y	3	SWITCH - SEALED & YELLOW V-TUF 'VRS' TYPE 10AMP
4	VTVS1004	6	GASKET
5	VTVS1005	3	MOTOR CABLE x TOP/WET
6	VTVS1006	3	VALVE
7	VTVS1007	1	FAIRLEAD
8	VTVS1008	12	SCREW
9	VTVS1009	1	SEPTUM FILTER
10	VTVS1010	8	SELF-TAPPING SCREW 4,8x19 SP
11	VTVS1011	1	GASKET
12	VTVS1012	1	WIRING
13	VTVS1013	1	CABLE GRIP
14	VTVS1014	3	SELF-TAPPING SCREW 2,9x19 TC T.C.
15	VTVS1015	1	FLOAT CAGE
16	VTVS1016	1	SPONGE FILTER x WATER
17	VTVS1017	1	WHITE FLOAT I87
18	a. I10. 1505C- 110V Cable b. I10. 1605C- 240V Cable	1	5M POWER CABLE
19	VTVS1019	1	MOTOR LOCK
20	VTVS1020	1	MOTOR COVER
21	VTVS1021	1	HANDLE
24	VTVS1022	1	WIRE
25	VTVS1023	1	WIRE
27	VTVS1024	3	KIT FIRE FLEX
28	VTVS1025	1	GASKET
29.1	VTVS1026	2	FLOAT CAGE
29.2	VTVS1027	1	FLITER TENT RING
29.3	VTVS1028	1	FILTER TEAM LINE
30	a. VTVS066XLR- 110V Motor b. VTVS042XLR- 240V Motor	3	BYPASS MOTOR
31	VTVS1031	3	COVER SHOULDER FOR MONO 33/45
31	VTVS1032	3	SCREW
33	VTVS1033	1	SWITCH CAP FOR 2 MOTOR VAC

MAMMOTH XR11000



Pos.	Cod.	Q.ty	Description
1	VTVS1065	1	TANK D.400 RAL7030 85LT
2	VTVS7165M	1	OPENING
3	VTVS7167	2	SELF-TAPPING SCREW
4	VTVS7168	2	HOOK
5	VTVS7169	4	RIVET
6	VTVS7170	1	EXHAUST PIPE
7	VTVS1071	2	WHEEL
8	VTVS1072	2	COVER
9	VTVS1073	2	WHEEL
10	VTVS1074	1	SHAFT
11	VTVS1075	2	STARLOOK D. 20MM
12	VTVS1076	2	SCREW
13	VTVS1077	1	SPRING
14	VTVS1078	4	SCREW
15	VTVS1079	3	CLAMP
16	VTVS1080	1	COVER
17	VTVS1081	3	WASHER
18	VTVS1082	1	NET SAC